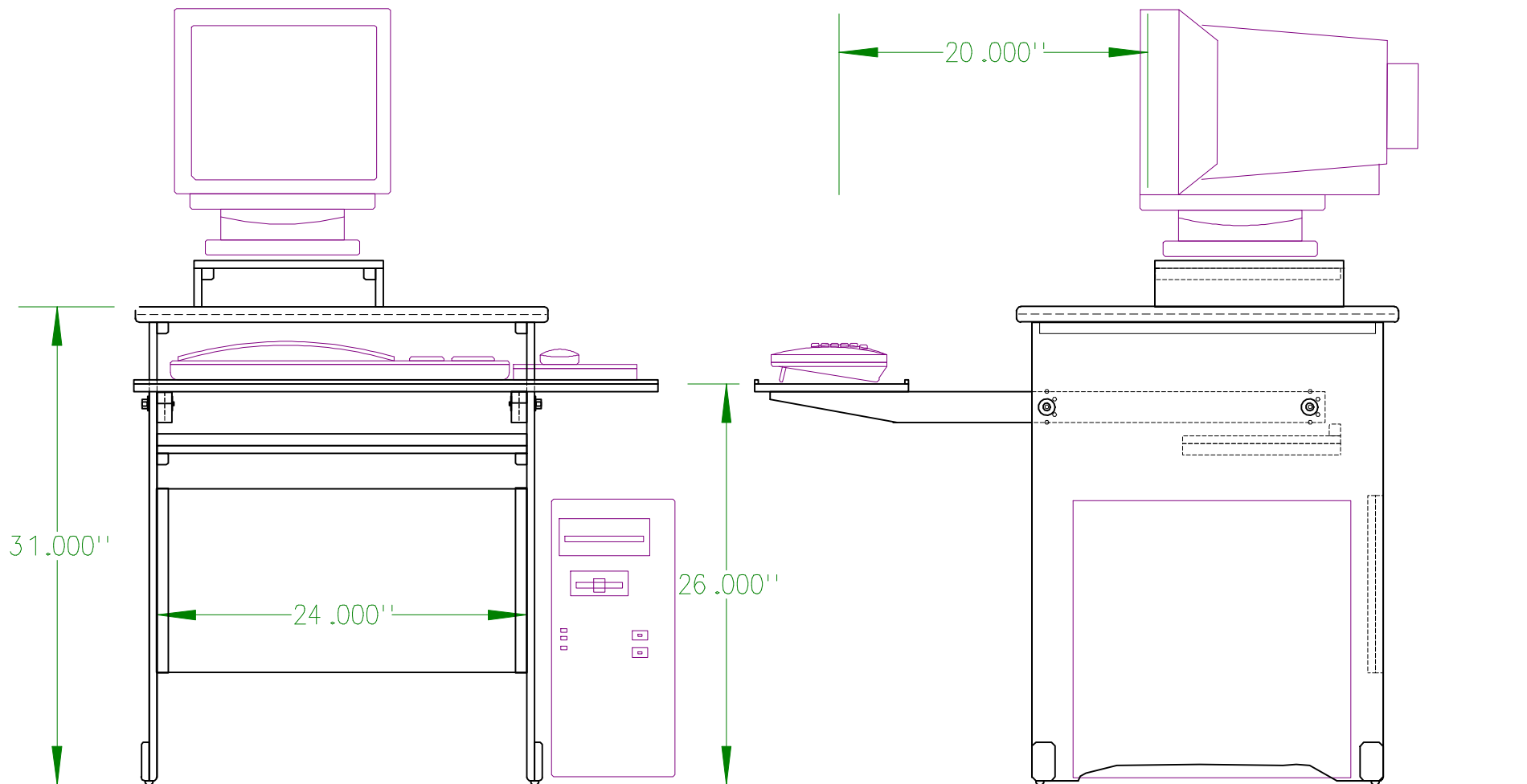
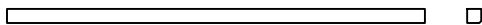


Typing Stand Computer Desk



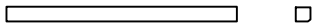
Typing Stand Computer Desk Stick Pieces Sketch #4

.75" by .75" Stock

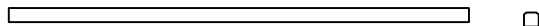


Top Screw Block
2 Req.

Back Screw Block
4 Req.



Monitor Stand Screw Block
2 Req.



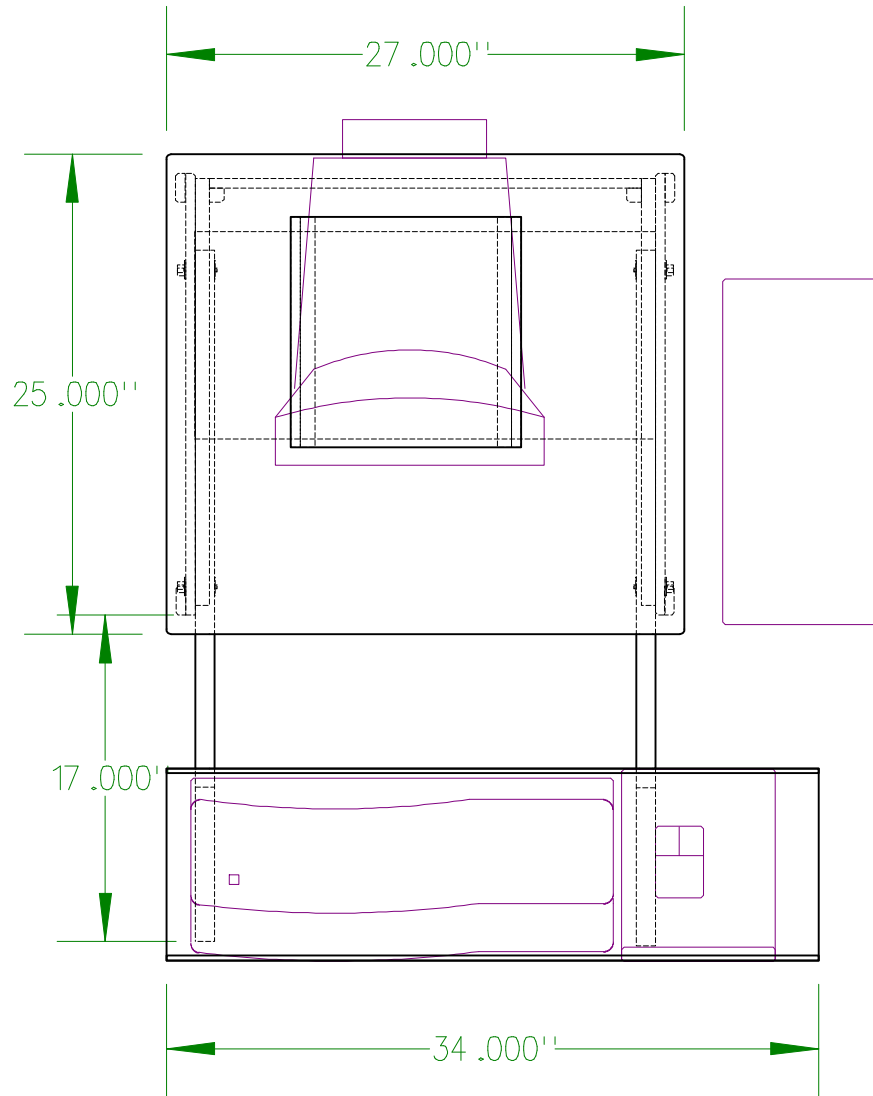
Shelf Back Stop
1 Req.

.25 Quarter Round Stock



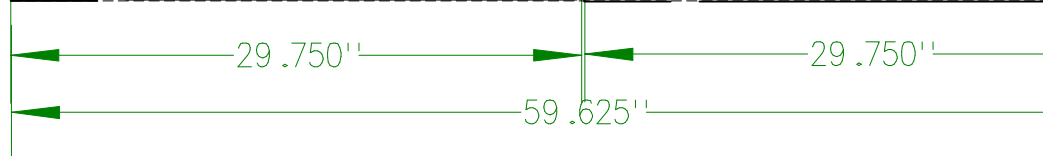
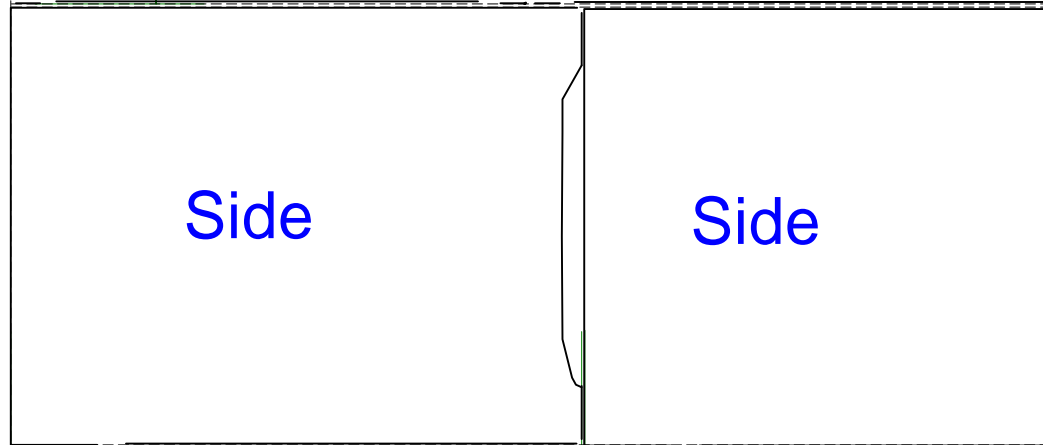
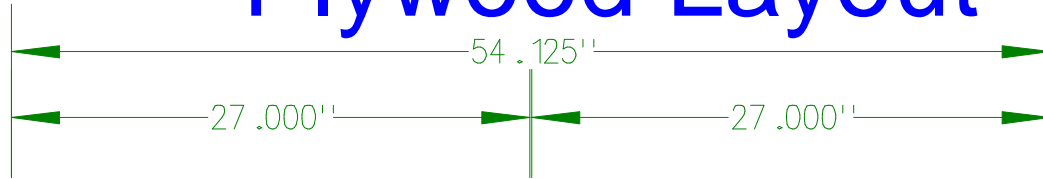
Keyboard Limit Strip
2 Req.

Typing Stand Computer Desk Top View, Sketch #2

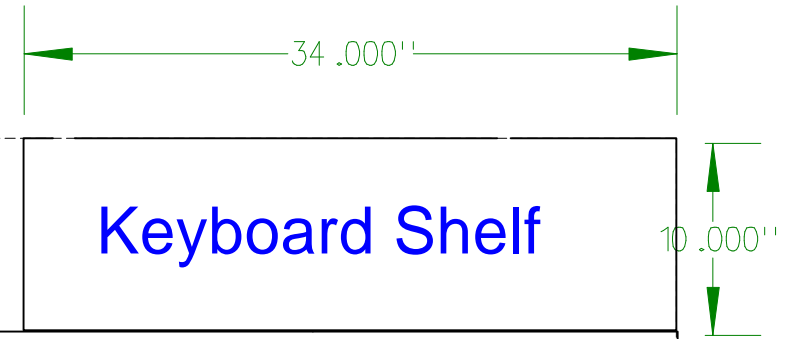


Typing Stand Computer Desk

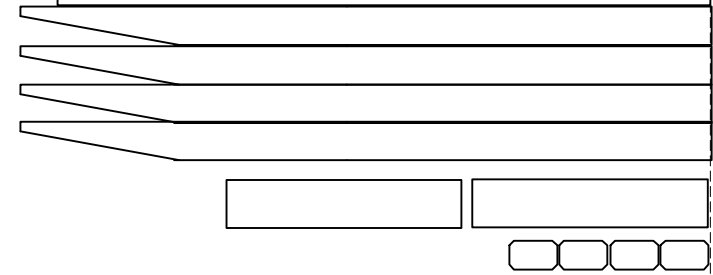
Plywood Layout



Sketch #3



Second Cut



Third Cut