

Spoon Rack

Counter tops are especially susceptible to that dread disease, "creeping clutter." When your kitchen drawers are full and your utensils start to invade horizontal surfaces, you can clear some space by attaching this spoon rack to a convenient wall. Hang it with its decorative edge facing either up or down.

Materials List

Red or yellow cypress is recommended for this project.

- (1) 3/4" x 4-1/2" x 18" Mounting board
- (1) 1/2" x 1" x 16-1/2" Rack

Suggested Tools

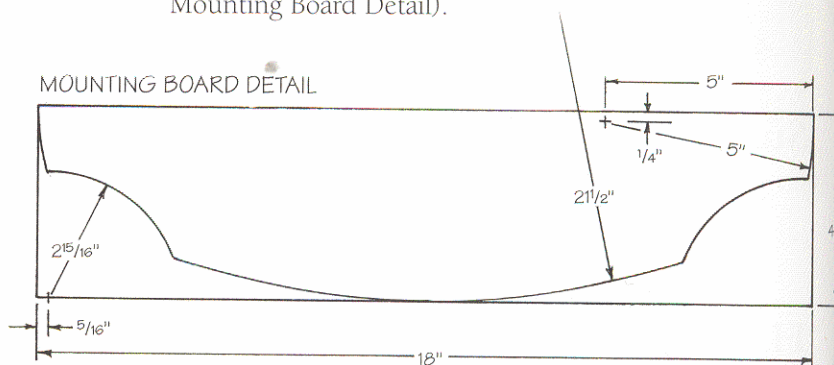
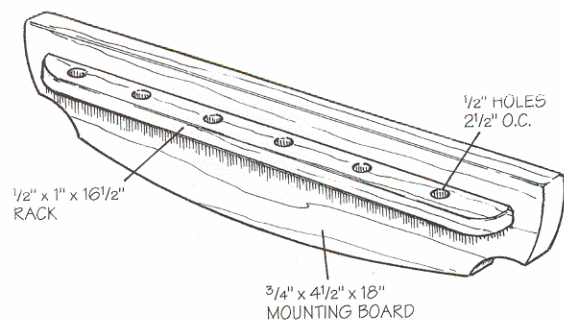
- Jigsaw
- 3/8" drill
- Router
- Compass
- 36" straightedge
- No. 8 pilot bit and counterbore with stop collar
- No. 2 Phillips screwdriver
- 1/2" drill bit
- 1/4" roundover bit

Hardware & Supplies

- Yellow wood glue
- No. 8 x 1" flathead wood screws
- Spray lacquer
- 18" x 22" piece of cardboard

Construction Procedure

1. On the 16-1/2" rack piece, mark a center line lengthwise down the face.
2. Measure in 2" from one end, and mark on the line. At a point 2-1/2" from this mark, make another mark. Continue to measure and mark at 2-1/2" intervals until there are a total of six marks along the line.
3. Drill 1/2" holes at the six marked centers.
4. To round the ends of the rack, measure in 1" from each end, and make a mark on one edge of the rack's face. Using these marks, strike a 1" radius at each end. Then cut the marked curves with a jigsaw.
5. On the 18" mounting board, mark the center at 9". Next, set your compass to a 21-1/2" radius. Placing the compass at the center point of one 18" edge of the cardboard piece, draw a 21-1/2" radius. Cut the cardboard along the marked radius line, and flip it upside down. Then align the center of the cut arc's edge with the center of the mounting board's bottom edge, and transfer the arc to the bottom of the board's face (see Mounting Board Detail).





6. Measure in $\frac{5}{16}$ " from each bottom corner of the mounting board, and strike a $2\text{-}\frac{15}{16}$ " radius across each lower quadrant (see Mounting Board Detail).

7. Measure in 5" from each upper corner, and make a mark. Then measure down $\frac{1}{4}$ " from each of these marks, and strike a 5" radius between the upper edge of the wood and each $2\text{-}\frac{15}{16}$ " radius just drawn.

8. With a jigsaw, cut all the radii as marked, and sand the wood smooth.

9. Using a $\frac{1}{4}$ " roundover bit in the router, round both sides of the rack's three exposed edges. The fourth edge should be left square; it will be fastened against the back and will not be exposed. Then round all edges of the mounting board's face side. Sand the wood lightly.

10. Measure $\frac{7}{8}$ " down from the top (flat) edge of the mounting board, and mark a line across its back

surface. Measure in $1\text{-}\frac{3}{4}$ " from each end, and mark at the line.

11. Align the rack with the mounting board's face. With a No. 8 pilot hole and counterbore, drill two holes at the two marked points, through the board and into the rack. Set the stop collar at a $1\text{-}\frac{1}{8}$ " depth.

12. Spread glue along the back edge of the rack, and fasten it to the mounting board with No. 8 x 1" flathead wood screws.

13. From the face side of the mounting board, drill countersunk No. 8-screw mounting holes, 1" below the holes for the shelf screws and centered 16" apart.

14. Sand lightly and finish with three or more coats of spray lacquer.