



Wow! I Made It.com

Plant Pedestals

This plant pedestal is so practical and easy-to-build, you'll probably want several like we did. We had fun designing two simple pedestals that were attractive and substantial enough to support a healthy fern or prized wandering jew. The finished size is 51" tall, but you could build several with varying heights to make a corner grouping.

We finished one to look like marble and painted the other one white. The pedestal looks great in an entry, on a porch, or in a corner of a deck.



Materials and Supplies

- 17 linear feet of 1 x 6 pine
- 2 linear feet of 1 x 8 pine
- 2 linear feet of 1 x 10 pine
- Marbleizing paint kit (comes in several different colors, and includes instructions)

Hardware

- 3d x 1-1/4" nails
- 6d x 2" nails

Cutting List

Code	Description	Qty.	Materials	Dimensions
A	Side	4	1 x 6 pine	48" long
B	Small Base	2	1 x 8 pine	7-1/4" long
C	Large Base	2	1 x 10 pine	9-1/4" long

Cutting the Pieces

1. Cut four sides (A) from 1 x 6 pine, each 48" long. It's essential that you cut the ends perfectly square to avoid creating a tower that leans like the famous one we all know about.
2. Cut two small base pieces (B) from 1 x 8 pine, each 7-1/4" long.
3. Cut two large base pieces (C) from 1 x 10 pine, each 9-1/4" long.

Assembly

1. Assemble the four side pieces (A), overlapping each piece in rotation, as shown in *Figure 1*. With the four sides (A) in position, the stand measures 6-1/4" wide on all sides. Nail all four sides (A) along their entire length, using the 3d nails, spaced about 6" apart. Countersink the nails.

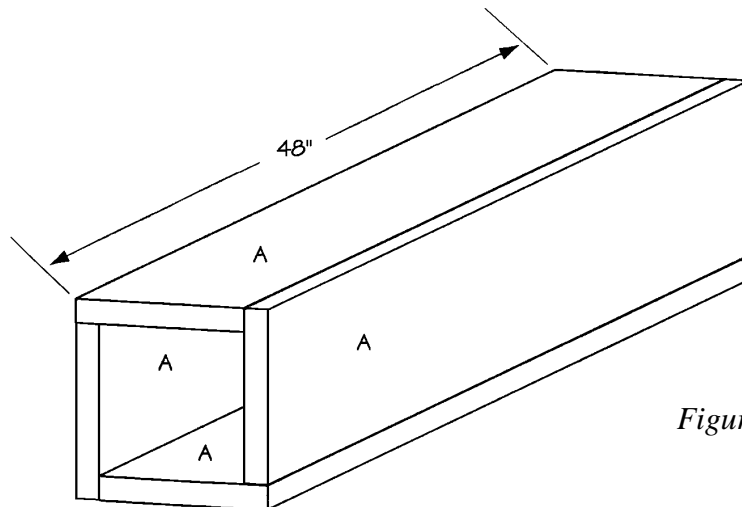


Figure 1

2. Center one small base (B) over one large base (C), as shown in *Figure 2*. Nail the two pieces together using 3d nails. Countersink the nails.

3. Repeat Step 5 using the other small base (B) and large base (C).
4. Center one base assembly on top of the stand. The large base should be facing up (see *Figure 3*). Attach the base to the stand using the larger nails. Countersink the nails.
5. Turn the stand over and repeat Step 7 to attach the remaining base assembly.

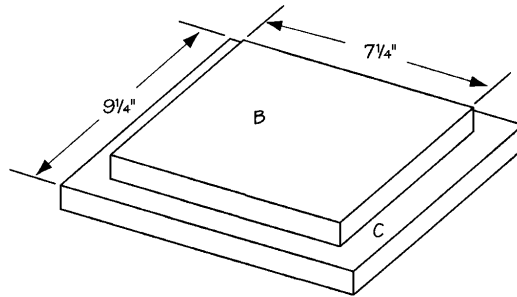
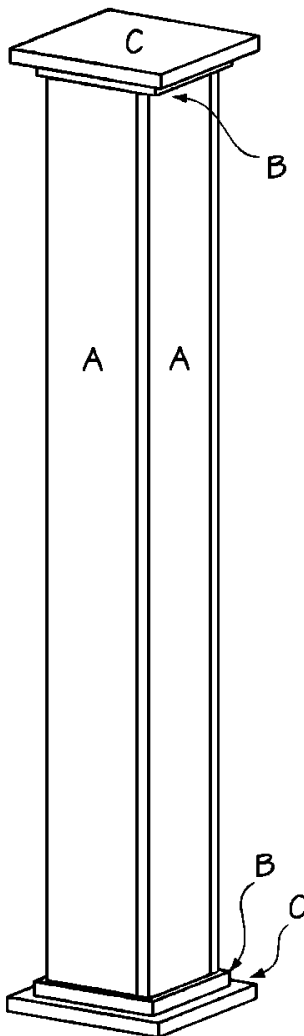


Figure 2

Figure 3



Finishing

1. Fill any cracks, crevices, or nail holes with wood filler, and thoroughly sand all surfaces of the completed pedestal.
2. We finished our plant stand using a purchased marbling kit. It was fun to do, and the results are impressive.

Build other exciting indoor and outdoor projects from

