

# Essential Preparations Before Installing Your New Well Pump

## Safety First

Prioritize your safety and ensure you wear safety gear, including safety goggles, gloves, and proper footwear. Check if the area is well-ventilated to prevent health risks.

1



2

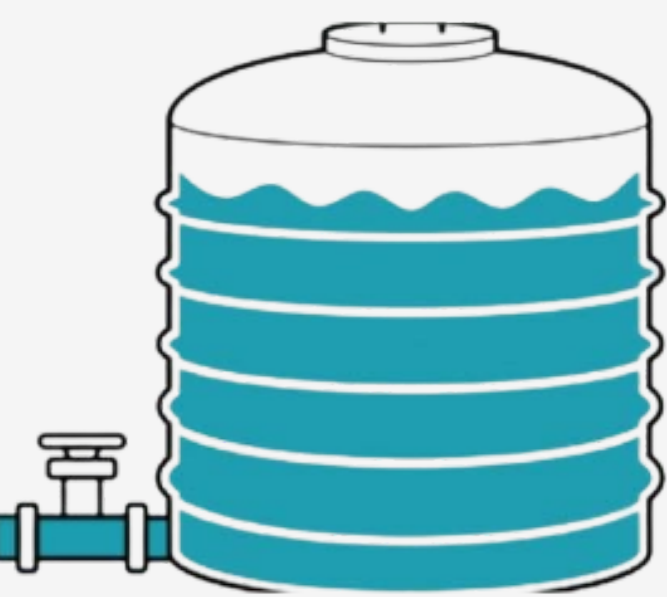
## Turn Off the Power/Water Supply

Turn off the power and water supply before commencing any work. Taking necessary precautions can help to prevent potential risks, leaks, injuries, or shocks.

## Gather Tools

Gather the necessary tools and materials needed to replace the pump. This includes a pipe wrench, pliers, Teflon tape, a rope or cable, a hose, and a new replacement pump.

3



4

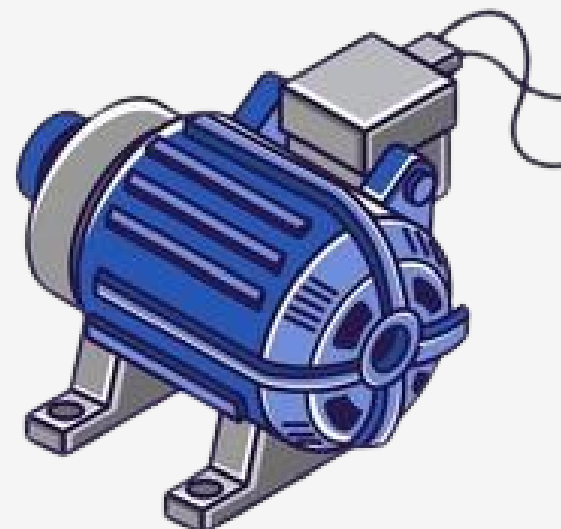
## Drain the water from the Well Tank

Turn on all the faucets to allow the water to release out and relieve any pressure within the plumbing system.

## Install the New Pump

Carefully lower the replacement pump to fit correctly inside the casing at the correct depth. Following the instructions as directed in the manual, firmly install the pump.

5



Source Url:

<https://brucemackay.home.blog/2023/12/01/how-do-you-replace-a-well-pump/>